


Part number

# JNEM 24



## Product description

|                     |  |
|---------------------|--|
| <b>Model</b>        | male insert  |
| <b>Version</b>      | screw terminal connections   |
| <b>Series</b>       | JNE  |
| <b>Product type</b> | with male contacts   |
| <b>Variant</b>      | with plate   |
| <b>Family</b>       | JEI® inserts   |
| <b>Size</b>         | size "104.27"  |
| <b>N. of poles</b>  | 24 poles +  |

## Technical data

|   |  |
|---|--|
| <b>Current</b>                                | 16 A (A.C. and D.C.)                                       |
| <b>Voltage</b>                                | 500 V  |
| <b>Rated impulse withstand voltage</b>        | 6kV  |
| <b>Pollution degree</b>                       | 3  |
| <b>Wire cross-section</b>                     | 0,50 mm <sup>2</sup> - 4,00 mm <sup>2</sup>                |
| <b>AWG size</b>                               | 20 - 12  |
| <b>Operating temperature range (min, max)</b> | -40°C ... +125°C   |
| <b>Contact type</b>                           | tin plated   |
| <b>Mating cycles</b>                          | ≥ 200  |
| <b>IP degree of protection</b>                | IP20 without enclosure; IP65/IP66/IP67/IP68 with enclosure |
| <b>PE wire cross-section</b>                  | 0,14 - 4 mm <sup>2</sup> ; AWG 20 - 12                     |

## Further technical details

|  |                                    |
|--|------------------------------------|
| <b>Characteristics according to EN 61984</b> | 16A 500V 6kV 3; 16A 400/690V 6kV 2 |
| <b>Insulation resistance</b>                 | ≥ 10 GΩ                            |
| <b>Rated voltage according to UL/CSA</b>     | 600V                               |
| <b>UL 94 flammability rating</b>             | V-0                                |
| <b>Weight</b>                                | 128,00 g                           |

## Approvals / Standards

|                           |   |
|---------------------------|---|
| <b>Reference standard</b> | EN 61984 (2001-11)  |
| <b>Quality mark</b>       |    EAC |
| <b>Conformity</b>         | CQC, CE   |

## General ordering information

|                      |               |
|----------------------|---------------|
| <b>EAN13 code</b>    | 8015747204460 |
| <b>Tariff number</b> | 85369095      |

## Packaging Information

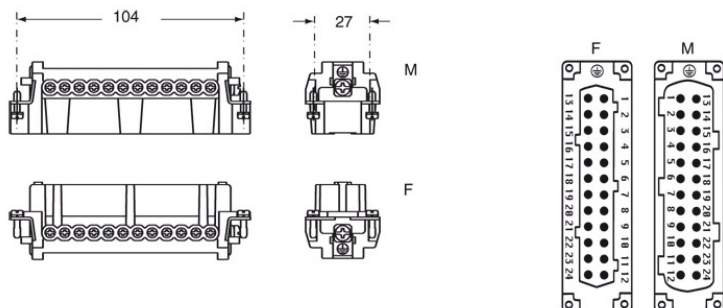
|                                  |                       |
|----------------------------------|-----------------------|
| <b>Packaging length</b>          | 450,00 mm             |
| <b>Packaging height</b>          | 175,00 mm             |
| <b>Packaging width</b>           | 230,00 mm             |
| <b>Packaging weight</b>          | 9,40 kg               |
| <b>Packaging volume</b>          | 18,11 dm <sup>3</sup> |
| <b>Packaging description</b>     | Carton box            |
| <b>Packaging quantity</b>        | 80 Pcs                |
| <b>Packaging EAN code</b>        | 8015747204675         |
| <b>Sub-packaging weight</b>      | 0,59 kg               |
| <b>Sub-packaging description</b> | Carton                |
| <b>Sub-packaging quantity</b>    | 5 Pcs                 |
| <b>Sub-packaging EAN barcode</b> | 8015747204682         |

Part number

# JNEM 24



Catalogue drawings



## Notes

- for non-prepared conductors
- inserts with plate for section conductors:  
0.5 ÷ 4 mm<sup>2</sup> - AWG 20 ÷ 12
- conductors stripping length: 7 mm
- terminal screw torque: 0.5 Nm

